

New

KWIK-WEIGH

Pallet Truck Scale



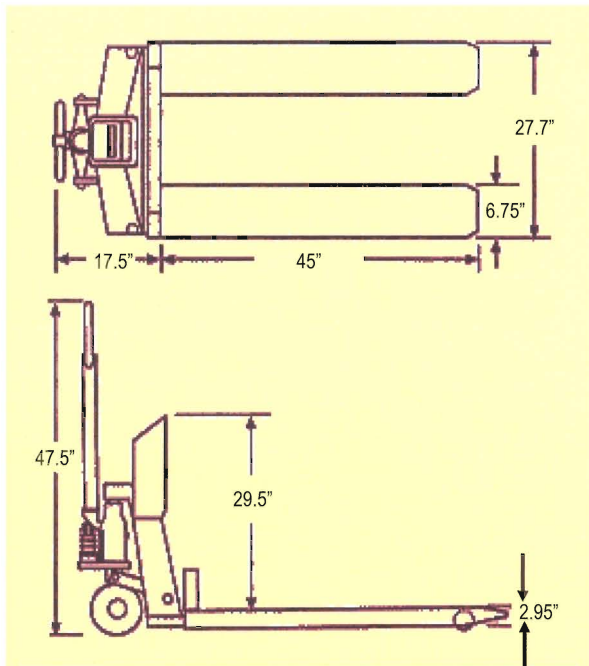
4500 lb. Capacity
High Accuracy
1 lb. Resolution



2.95" Lowered Height

NEW PORTABLE SCALE

Unique 2.95" lowered height allows easy entry to pallets



Warranty

The Atlas Kwik-Weigh pallet truck features a 1-year warranty from the date of purchase on all parts. All repairs will be guaranteed for the first 90 days. Inbound and outbound freight will be the responsibility of the customer. Atlas is not and will not be held liable for losses incurred through the use of its products. This warranty does not apply to pallet truck scales that have been subject to operation in excess of design limitations, accident abuse or acid, alkali and condensing atmospheres. The above is in lieu of all other warranties expressed or implied.

Optional Equipment

6-volt DC sealed lead-acid battery and charger



Atlas Lift Truck Rental & Sales

5050 North River Road, Schiller Park, IL
60176-1092

Phone: 847/ 671-6700

Fax: 847/ 678-8750

www.atlaspallettruck.com

Dealer inquiries always welcome!

Quality Features

- Weighing capacity of 4500 lbs (2045 kg)
- Digital display with 1.2 inch tall L.C.D.
- Resolution is by 1 lb, (max error +/- .2% of applied load, 4 lbs at 2500 lbs.)
- Lb/Kg unit switch
- Includes 4, 1.5-volt "C" cell batteries
- Low battery indicator
- Lowered height of 2.95" for easy pallet entry
- Standard forks 45Lx27.7wx2.95H inches
- 3-position lowering control with loop handle for finger tip release
- 215-degree pivot action maneuvers in compact areas.
- High quality leak proof pump provides maintenance free service.
- Features include: sealed ball bearings throughout.
- Bearings at all pivot points can be lubricated easily.
- Powder coated safety/color paint after anti-rust treatment.
- Optional 6-volt sealed lead-acid battery and charger available upon request.

Specifications

Load Capacity	4500 lbs (2045 kg.)
Lowered height of forks	2.95"
Raised Height	7.6"
Standard fork length	45"
Overall width across forks	27.7"
Pallet entry wheels	Nylon
Fork width	6.75"
Load Rollers – Polyutherane	2.7"D x 3 1/8"W
Body Length (including pump)	62.5"
Approximate shipping weight	465 lbs.

Portable Electronic Scale Truck applications include:

- Verify incoming/outgoing freight
- Truck loading by weight
- Batching, drum filling
- Inventory control
- All-purpose mobile scale

Our scale truck includes all the features of a pallet truck along with a portable scale. Operates on 4, 1.5-volt "C" cell batteries (included) for up to 25 hours of operation. In order to make maximum use of battery power, the indicator is programmed to turn off if not used in 5 minutes. 1.2" tall digital LCD characters are easy to read. Weighs up to 4500 lbs (2045 kg) in 1 lb (0.5 kg) increments.