

BenchMark® Series BENCH SCALES



RICE LAKE®
WEIGHING SYSTEMS

800-472-6703
www.ricelake.com

BenchMark[®] BENCH SCALES



Measurement
Canada
Approved

Light-Capacity

The CW-90B or CW-90XB, when paired with a CW-90/90X digital weight indicator, are ideal for checkweighing applications. Both models in this subgroup are constructed of 304 stainless steel, and have NTEP, FM and Measurement Canada approvals. When paired with a CW-90/90X digital weight indicator, the system is NSF certified.

CW-90B

The CW-90B is constructed of 304 stainless steel and includes an aluminum, environmentally sealed load cell.

- **Load Cell:** Aluminum IP67, cFMus Approved
- **Sizes:** 10 x 10 inches to 12 x 12 inches
- **Capacities:** 5 pounds to 100 pounds
- **Construction:** 304 Stainless Steel Frame and Top Cover
- **Foot Construction:** 304 Stainless Steel Threaded Stem with Rubber Bottom
- **Overload Protection:** Five-point Overload Protection

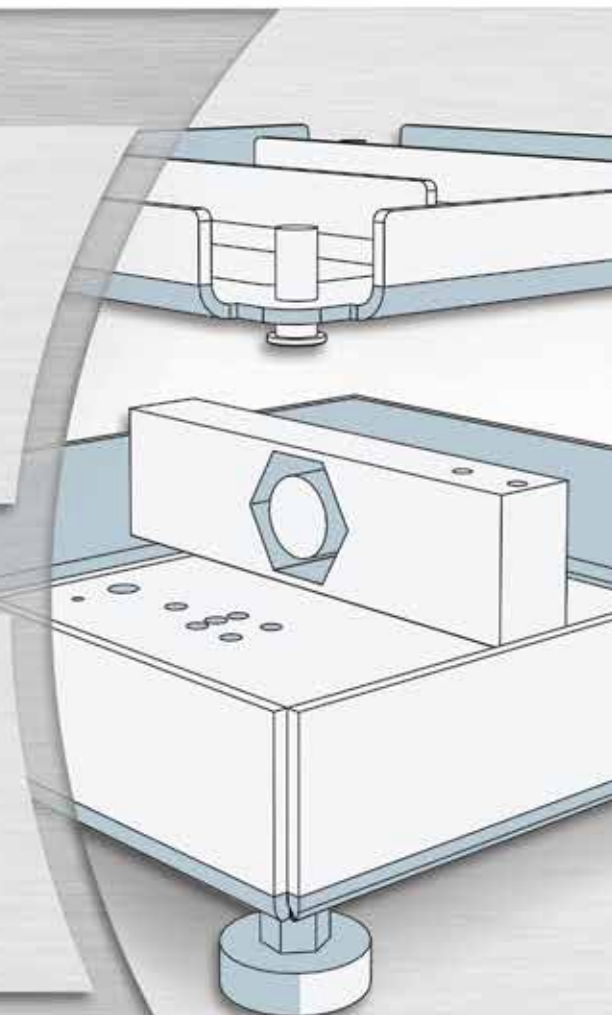
CW-90XB

The CW-90XB is engineered according to sanitary design principles (SDP) by reducing areas that hide bacteria and pathogens, and with features that allow ease in extreme sanitation.

- **Load Cell:** Stainless Steel IP69K, cFMus Approved
- **Sizes:** 10 x 10 inches to 12 x 12 inches
- **Capacities:** 5 pounds to 100 pounds
- **Construction:** 304 Stainless Steel Frame and Top Cover
- **Foot Construction:** 304 Stainless Steel Threaded Stem with Rubber Bottom
- **Overload Protection:** Five-point Overload Protection

SS
Stainless Steel

HE
Harsh Environment





Measurement
Canada
Approved

Light-Capacity Spring Loaded

The BenchMark SL, CW-80B and SLHE bench scales feature a spring loaded, LifeGuard™ design that isolates the load cell from overloads and shock loads, providing additional endurance and utility to light industrial weighing jobs.

BenchMark SL

The BenchMark SL is constructed of 304 stainless steel and comes with an aluminum, environmentally sealed load cell.

- **Load Cell:** Aluminum, IP66, cFMus Approved
- **Sizes:** 10 x 10 inches to 12 to 12 inches
- **Capacities:** 2 pounds* to 100 pounds
- **Construction:** 304 Stainless Steel
- **Foot Construction:** 304 Stainless Steel Threaded Stem with Rubber Bottom
- **Overload Protection:** Lifeguard® springs

**2pound scale is non-NTEP Approved*

SS
Stainless Steel

BenchMark CW-80B

An ideal scale base for checkweighing applications.

- **Load Cell:** Stainless Steel IP67, FM Approved
- **Sizes:** 10 x 10 inches to 12 x 12 inches
- **Capacities:** 6 pounds to 60 pounds
- **Construction:** 304 Stainless Steel
- **Foot Construction:** 304 Stainless Steel Threaded Stem with Rubber Bottom
- **Overload Protection:** Lifeguard® springs

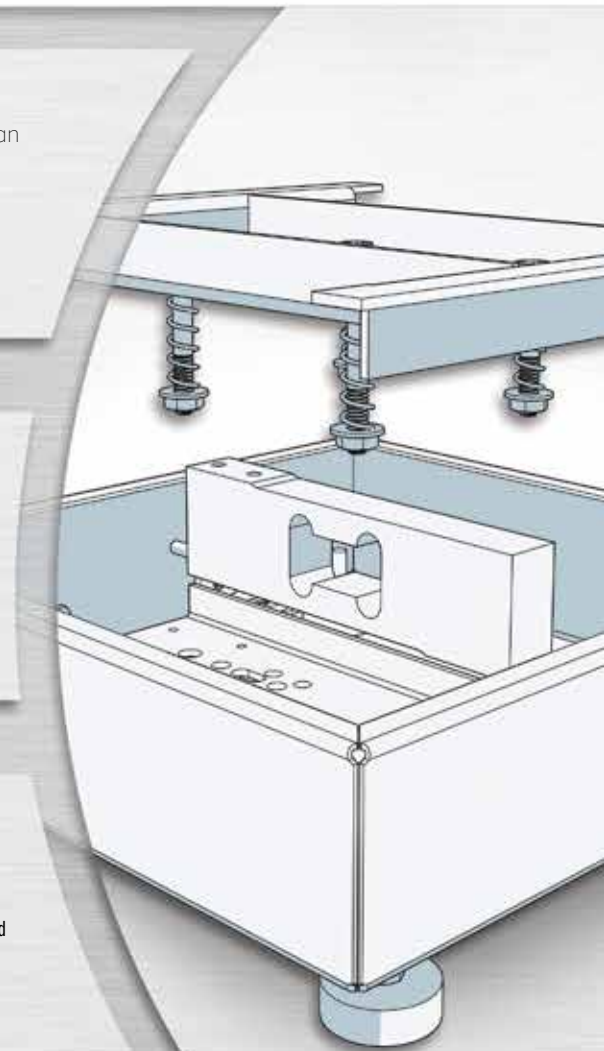
SS
Stainless Steel

BenchMark SL HE

The BenchMark spring loaded, hostile environment bench scale.

- **Load Cell:** Stainless Steel IP69K, FM Approved
- **Sizes:** 10 x 10 inches to 12 x 12 inches
- **Capacities:** 30 pounds to 100 pounds
- **Construction:** 304 Stainless Steel
- **Foot Construction:** 304 Stainless Steel Threaded Stem with Rubber Bottom
- **Overload Protection:** Lifeguard® springs

HE
Harsh Environment





Measurement
Canada
Approved

Medium-to High-Capacity

BenchMark medium-to high-capacity bench scales are offered in a number of models, for choices capable of handling heavy loads while still fitting perfectly into the work space where it is needed.

MS
Mild Steel

BenchMark Mild Steel Bench Scale

Finished with a painted, mild steel tubular frame and 304 stainless steel cover, this model features aluminum, environmentally sealed load cells.

- **Load Cell:** Aluminum IP67, cFMus Approved
- **Sizes:** 12 x 12 inches to 24 x 24 inches
- **Capacities:** 30 pounds to 1,000 pounds
- **Construction:** Painted Mild Steel Tubular Frame with 304 Stainless Steel Top Cover
- **Foot Construction:** 304 Stainless Steel Threaded Stem with Stainless Steel Bottom
- **Overload Protection:** Five-point Overload Protection

SS
Stainless Steel

BenchMark Stainless Steel

With a 304 stainless steel cover and tubular frame, these models include load cells that are constructed of aluminum with environmentally sealed protection.

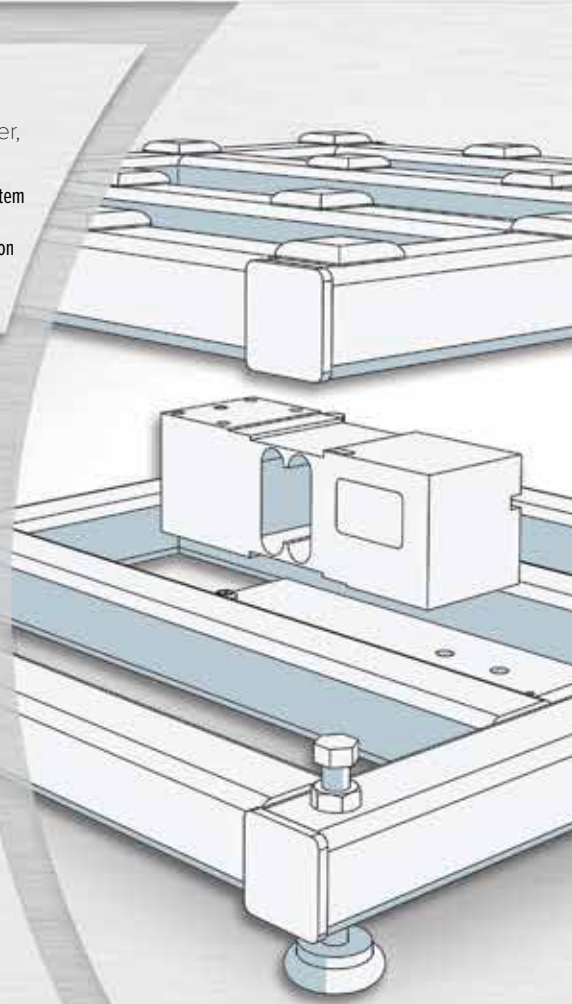
- **Load Cell:** Aluminum IP67, Fm Approved
- **Sizes:** 12 x 18 inches to 24 x 24 inches
- **Capacities:** 50 pounds to 1,000 pounds
- **Construction:** 304 Stainless Steel Tubular Frame and Top Cover
- **Foot Construction:** 304 Stainless Steel Threaded Stem with Stainless Steel Bottom
- **Overload Protection:** Five-point Overload Protection

HE
Harsh Environment

BenchMark HE Series

This hostile environment bench scale is made with a 304 stainless steel cover and tubular frame and includes a hermetically sealed, IP69K protected, stainless steel load cell.

- **Load Cell:** Stainless Steel IP69K, FM Approved
- **Sizes:** 12 x 18 inches to 24 x 24 inches
- **Capacities:** 50 pounds to 1,000 pounds
- **Construction:** 304 Stainless Steel Tubular Frame and Top Cover
- **Foot Construction:** 304 Stainless Steel Threaded Stem with Stainless Steel Bottom
- **Overload Protection:** Five-point Overload Protection



MS
Mild Steel



For dry environments

SS
Stainless Steel



For corrosive, dry environments

HE
Harsh Environment



For harsh, corrosive, wet environments

The Bench Scale that Fits any Task

The BenchMark® Series performs with durability, repeatedly for almost any application. This definitive bench scale series is offered in a wide variety of models with options that can be selected to exactly fit any application. Ideal for industrial weighing, each model is available in a broad range of finishes, sizes and capacities, and all are Legal for Trade.

Built for Tough Jobs

A BenchMark is constructed with superior craftsmanship, yielding a tough scale that performs accurately despite industrial-grade challenges. The BenchMark Series can be customized to meet unique application needs for a perfect fit in any site.

Digital Weight Indicators

Pairing a BenchMark bench scale with a well-suited digital weight indicator completes a custom-built weighing system capable of the most basic, or a more complex set of tasks.



BenchMark Scale Cart

The BenchMark® MSC mobile scale cart is ideal for applications where bench scale portability is necessary. The cart is available in stainless or mild steel and is designed with two rigid and two swivel casters with locking wheel brakes. With an 18-inch column to mount the weight indicator, weight readings will be easily visible to the operator.



BenchMark[®] BENCH SCALES

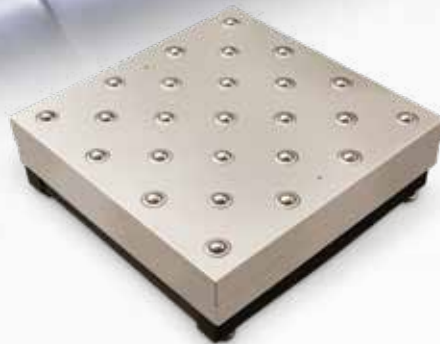
Don't Fight Physics, Move Products

Experience true efficiency by selecting the right bench scale top for any of the BenchMark Series bench scale models. Add a rolling top surface to increase product mobility and ease operator effort for fast output speeds.



Ball Transfer Top

For bi-directional movement of boxes or products, customize the ball transfer top by ordering specific center distances between transfer balls, depending on the size of the objects to be weighed.



Ball Transfer with Shroud

The transfer balls are shrouded so they do not protrude above the scale surface as prominently as the standard ball transfer top. It facilitates the same bi-directional movement and allows for center distance options, but it creates a lower profile between the scale surface to the tops of the balls.



Roller Conveyor

This option allows one-directional movement with sturdy rollers on the surface of the scale. Not only are the center dimensions customizable, the actual diameter of the rollers is as well. Specify directional alignment of the rollers to align with the long or short sides of the scale, if the scale is rectangular.

Your Rice Lake Weighing Systems distributor is:

RICE LAKE[®]
WEIGHING SYSTEMS

230 W. Coleman St. • Rice Lake, WI 54868 • USA
TEL: 715-234-9171 • FAX: 715-234-6967 • www.ricelake.com

An ISO 9001 registered company © 2018 Rice Lake Weighing Systems PN 53841 11/18
Specifications subject to change without notice.