

480/480 Plus Legend Series

Digital Weight Indicator



Standard Features

- LED display, 0.8 in (20 mm), six-digit, seven-segment
- Time and date, battery backed
- Local/remote operation
- Numeric keypad (480/482 Plus)
- Keyed entries for setpoint values (480/482 Plus)
- Two independent serial ports, RS-232 and 20 mA
- NEMA Type 4X/IP66 stainless steel washdown enclosure
- Programmable ticket formats for gross, net, accumulator and setpoints
- Five continuous stream formats
- Adapter filter or rolling average filter
- Operator functions through menu for audit trail, preset tare, unit ID, accumulator, time and date, setpoints, communications and print formats
- Eight setpoints, sequenced batch engine
- Configurable with Revolution® software

Approvals



Measurement
Canada
Approved



Specifications

Power:

Line voltages: 100-240 VAC
Frequency: 50-60 Hz
DC voltages: n/a
Power consumption: 8 W

Excitation Voltage:

5 VDC, 8 x 350Ω or 16 x 700Ω load cells

Analog Signal Input Range:

±7mV/V

Analog Signal Sensitivity:

0.1 μV/graduation minimum,
0.5 μV/graduation recommended

A/D Sample Rate:

5, 10, 20, 40 Hz, software selectable

Resolution:

Internal: 523,000 counts
Display: 100,000 graduations

System Linearity / PI Rating:

Within 0.01% of full scale

Digital I/O:

Optional 2 or 4 inputs
4 or 8 dry-contact relays

Communication Ports:

Com 1: RS-232 full duplex
Com 2: RS-232 full duplex or 20 mA simplex, continuous
Both ports 1200, 2400, 4800, 9600, 19200, 38400 baud seven or eight data bits, even, odd or no parity

(Optional) Analog Output:

16-bit resolution, voltage output 0-10 VDC, current output 0-20 mA / 4-20 mA

(Optional) Relay Board:

Two opto-isolated, 5 to 24 VDC, active high inputs.
Two inputs (requires relay output option). Primary keys, pseudo functions, batching functions.
(4) 30 VDC, 2 amp dry-contact relays

(Optional) Ethernet and USB Board:

USB five-pin header for PC, printer or flash drive.
Ethernet TCP/IP, RJ45 jack, server and client ports.

Display:

480/480 Plus: LED display
0.8 in (20 mm), six-digit, seven-segment
482/482 Plus: LCD backlit display, Transmissive/
Transflective
0.8 in (20 mm), six-digit, seven-segment

Status Annunciators:

Gross, net, center of zero, standstill, lb, kg, tare, preset tare

Keys/Buttons:

Flat membrane panel, embossed keys, tactile feel

Temperature Range:

Certified: 14°F to 104°F (-10°C to 40°C)
Operating: 14°F to 122°F (-10°C to 50°C)

Weight:

6.4 lb (2.9 kg)

Rating/Material:

Enclosure: NEMA Type 4X/IP66, heavy-gauge stainless steel

Warranty:

Two-year limited warranty

EMC Immunity:

EN 50082 Part 2 IEC EN 61000-4-2, 3, 4, 5, 6, 8, and 11

Approvals:

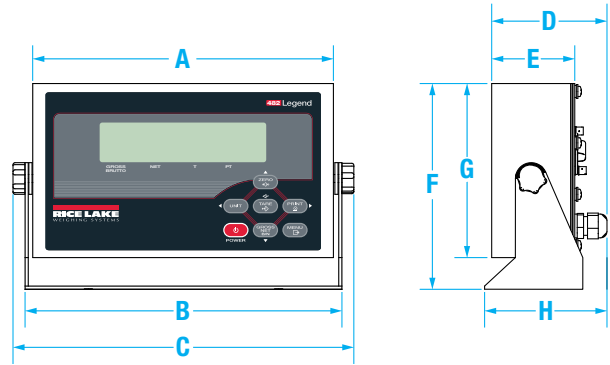
NTEP CC 12-123, Class III/IIIL, 10 000d
Measurement Canada AM-5892, Class III/IIHd, 10,000d
OIML R76/2006-NL1-12.48
EU Test Certificate TC8322
CE Marked
UL/cUL Listed

480/480 Plus Legend Series

Digital Weight Indicator

Part Number/Price: 480

Part #	Description	Est. Weight	Price
480 115 VAC †			
126564 †	480 LED	8 lb	Consult
130338 †	480 LED with analog output	8 lb	Consult
130340 †	480 LED with relay output	8 lb	Consult
164594 †	480 LED with USB/Ethernet	8 lb	Consult
480 90-264 VAC ††			
126565 ††	480 LED	8 lb	Consult
130339 ††	480 LED with analog output	8 lb	Consult
130341 ††	480 LED with relay output	8 lb	Consult
164595 ††	480 LED with USB/Ethernet	8 lb	Consult



Part Number/Price: 480 Plus

Part #	Description	Est. Weight	Price
480 Plus 115 VAC †			
164588 †	480 Plus LED	8 lb	Consult
164589 †	480 Plus LED with analog output	8 lb	Consult
164590 †	480 Plus LED with relay output	8 lb	Consult
164596 †	480 Plus LED with USB/Ethernet	8 lb	Consult
480 Plus 90-264 VAC ††			
164591 ††	480 Plus LED	8 lb	Consult
164592 ††	480 Plus LED with analog output	8 lb	Consult
164593 ††	480 Plus LED with relay output	8 lb	Consult
164597 ††	480 Plus LED with USB/Ethernet	8 lb	Consult

Dimensions					
A	9.50 in (241 mm)	D	3.65 in (92 mm)	G	6.00 in (152 mm)
B	10.00 in (254 mm)	E	2.75 in (70 mm)	H	3.75 in (95 mm)
C	11.00 in (279 mm)	F	7.00 in (178 mm)		



† US plug (NA) - Type B



†† Euro Plug - Type E

Options/Accessories

Part #	Description	Price
131340	Mounting bracket for option boards	Consult
131341	Analog output, 0-10 VDC, 4-20 mA (requires 131340)	Consult
131342	Relay board, two digital inputs, four dry contact outputs (requires 131340)	Consult
164600	USB and Ethernet TCP/IP (requires 131340)	Consult
164604	Ethernet cable with cord grip, 6ft	Consult
164602	Drive USB cable with cord grip, type A female, 6 in	Consult
167707	Host PC USB cable with cord grip, type A male, 6 ft	Consult
167708	Printer USB cable with cord grip, type B male, 6ft	Consult
165379	Flash update cable	Consult
164650	Battery kit, rechargeable lithium ion	Consult
151100	A/D sealing kit, used with audit trail tracking	Consult
151099	Panel mount bezel (not NEMA Type rated)	Consult
83564	Clear protective overlay (package of five)	Consult
77925*	Revolution® scale software, CD	Consult
119201	Installation manual	Consult
Primary Replacement Components		
131345	Overlay, 480 six-key, red window	Consult
159612	Overlay, 480 Plus with numeric keys, red window	Consult
131346	Display board, LED	Consult
131316	Power supply, 85-265 VAC	Consult
131318	CPU board	Consult
131319	A/D board	Consult

* Revolution can be downloaded for free at www.ricelake.com

To have your option factory installed, please specify when placing your order.