

EK-L Series

Precision Bench Scales



EK-15KL 15 kg / 33 lbs

EK-30KL 30 kg / 66 lbs

A&D

A&D Weighing

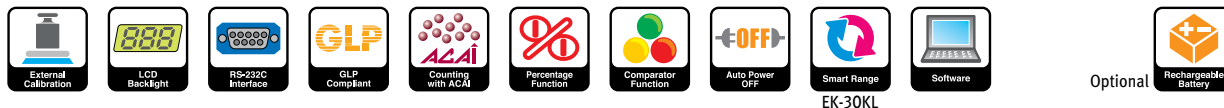
...Clearly a Better Value

EK-L SERIES PRECISION BENCH SCALES

Ideal for use when large capacity and high resolution are required at the same time. The EK-15KL has 0.1 g readability across its full 15 kg capacity. The EK-30KL has a smart range function. This is especially useful when the gross weight exceeds 3 kg yet 0.1 g readability is needed to measure net weight when using heavy tare containers. A single press of the re-zero key restores the 0.1 g precision range up to 3 kg.

Standard Features

- ✓ Large (11.8 × 8.2 in.) pan for convenient weighing of bulky objects.
- ✓ Hygienic stainless steel (SUS430) weighing platter.
- ✓ Easy-to-read LCD display with clear, white backlight (7/8" character height).
- ✓ Multiple weighing units: g, kg, oz, lb, ozt.
- ✓ Application modes: parts counting, % weighing, HI/LOW/OK comparator and Display hold.
- ✓ Security ring for wire-locking the scale to prevent theft.
- ✓ Data output to a PC or printer, via RS-232C interface.
- ✓ Auto Power-Off function. Operation with either AC adapter or optional rechargeable battery.
- ✓ Cast metal base with ABS housing.

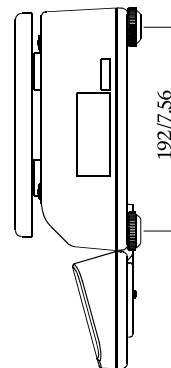
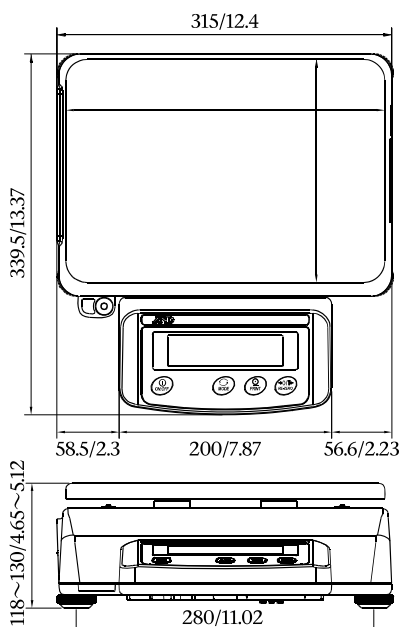


Specifications		EK-15KL		EK-30KL			
Capacity		15 kg	33 lbs	3 kg	6.6 lbs	30 kg	66 lbs
Readability		0.1 g	0.0005 lbs	0.1 g	0.0005 lbs	1 g	0.005 lbs
Repeatability (standard deviation)		0.3 g		0.3 g		1 g	
Linearity		±0.6 g		±0.6 g		±1 g	
Sensitivity drift		±20 ppm/°C (50 to 86°F / 10 to 30°C)					
Counting mode	Min. unit weight*	0.1 g					
	No. of samples	5, 10, 25, 50 or 100 pieces					
Percent mode	Min. % display	0.1%					
	Min. 100% weight	10 g					
Operating temperature		50 to 104°F / 10 to 40°C 85% RH or less (no condensation)					
Battery life (on a full charge)		Approx. 100 hours (at 25°C with backlight off)					
Weighing pan size		11.8 x 8.2 inches					
Net weight		Approx. 9.3 lbs		Approx. 10.8 lbs			
Calibration weight		15 kg		30 kg			
Standard accessories		AC adapter, Instruction Manual					

*Factory setting

Specifications subject to change without notice.

Dimensions (mm/inches)



Options

HC-02i Sealed lead acid rechargeable battery (6V, 4Ah)



1756 Automation Parkway
San Jose, CA 95131
(800) 726-3364 or (408) 263-5333
scales@andweighing.com
www.andweighing.com

© 2016 A&D Weighing



LIT: EK-L 02/16