



## SJ-WP Series Washdown Compact Scale

Weighing at the speed of lights in the toughest environments

**AND**  
A&D Weighing

# WASHDOWN COMPACT SCALES

## Reduce Waste and Increase Productivity

Fresh produce relies heavily on manual packing processes to pack into punnets/boxes/bags ready for supermarket consumers. On top of the labor cost, the cost of extra produce given away in overfilled packs can add up to thousands of dollars per week if unchecked.

Using our innovative 5-step light system it's easy to get fast, accurate filling and checkweighing done in a fraction of the time it took before.

### Bright and Multi-Colored 5-Step LED Comparator Lights

Operators respond to lights much faster than to a numeric weight display, increasing productivity and reducing overfill.

The SJ-WP stores up to 10 comparator limit settings, for fast and simple change of pack sizes.



## Features and Functions That Deliver Real Convenience



# WASHDOWN COMPACT SCALES

## IP67 Dust and Waterproof\* Construction

The SJ-WP is also ideal for weighing in wet and harsh environments with its IP67 protection. After use, residues can be rinsed quickly away with water to keep the scale clean and hygienic.

For thorough washing the scale can be stripped down by removing (1) the weighing pan with the stainless steel (SUS304) cover and (2) pan support with transparent overhanging shield panels, and then (3) soak the scale directly in water with pH-neutral detergent.

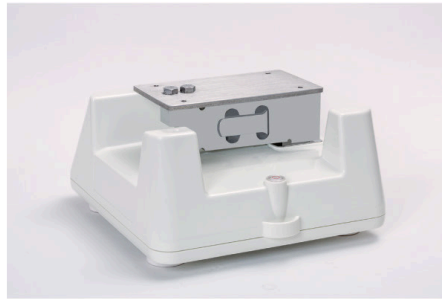
The aluminum load cell of the SJ-WP series is treated with alumite and silicon to be anti-corrosive and withstand long-term use in wet environments.

\*Permits no infiltration of water while immersed to a depth of 1 meter for 30 minutes

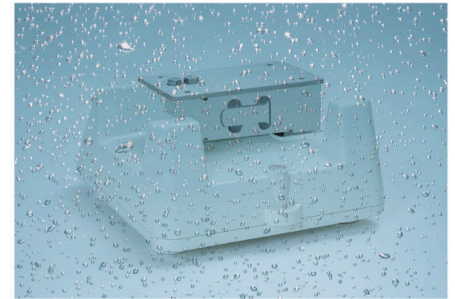
①



②



③



### Other Useful Features

- Large LCD display (26 mm character height) with white back light that provides excellent visibility in dim light
- Unparalleled, 5000-hour continuous operation with normal batteries\*
- Auto power OFF function to avoid wasting power when the scale is inactive for a set period (5 to 60 minutes) of time
- Four selectable weighing resolutions: 1/3,000, 1/6,000 (or 1/7,500), 1/12,000 (or 15,000), and 1/30,000
- Multiple weighing units: gram, kilogram, pound, ounce, troy ounce, pound-ounce, tael (Singapore/HK jewelry/Taiwan), tola, and Newton
- Counting mode to count a number of small pieces of the same weight instantly and precisely
- Response characteristics adjustable depending on the degree of vibration and draft at the location
- Take-away check weighing possible using auto-tare and negative comparison function

\*With 6 D alkaline batteries, LED and backlight off

### Take-Away Check Weighing



Tare the initial weight  
(either manual or automatic)



Take out contents until the target  
weight is reached and the comparator  
light turns green

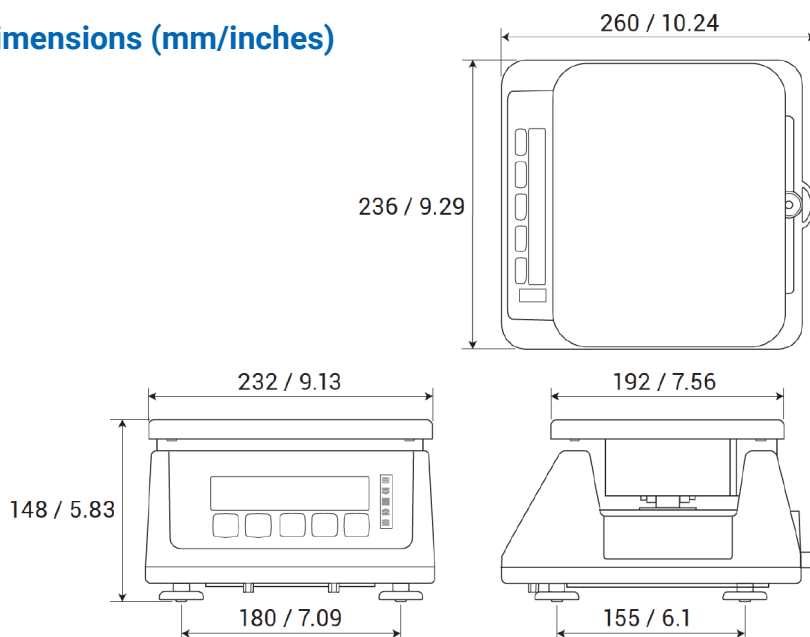


The scale automatically performs  
tare and returns display to zero

Specifications		SJ-3000WP	SJ-6000WP	SJ-15KWP	SJ-30KWP
kg	Capacity	3	6	15	30
	Min. display	0.0001	0.0002	0.0005	0.001
		0.0002	0.0005	0.001	0.002
		0.0005*	0.001*	0.002*	0.005*
	0.001	0.002	0.005	0.01	
lb	Capacity	6.6	13	33	66
	Min. display	0.0002	0.0005	0.001	0.002
		0.0005	0.001	0.002	0.005
		0.001*	0.002*	0.005*	0.01*
	0.002	0.005	0.01	0.02	
oz	Capacity	105	210	520	1050
	Min. display	0.005	0.01	0.02	0.05
		0.01	0.02	0.05	0.1
		0.02*	0.05*	0.1*	0.2*
	0.05	0.1	0.2	0.5	
lb-oz	Capacity	6	13	33	66
	Min. display	0.1			
	Weighing Units	g, kg, lb, oz, ozt, lb-oz, tl (tael), t (tola), pcs (counting), N			
Counting mode	Max. countable number	5, 10, 20, 50 or 100			
	Number of samples	120,000			
Repeatability (std. deviation)		0.5 g	1 g	2 g	5 g
Linearity		±1 g	±2 g	±5 g	±10 g
Sensitivity drift (typical)		±50 ppm / °C (5 °C to 35 °C / 41 °F to 95 °F)			
Display	Weight Display	7 segment LCD (character height: 26 mm) with white LED backlight			
	Comparator Lights	Tricolor 5-step LED: red / yellow / green / yellow / red			
Display refreshment rate		20 times / second			
Operating temperature		-10 °C to 40 °C / 14 °F to 104 °F			
Battery Life (with LED and backlight OFF)		Approx. 5,000 hours with 6 D alkaline batteries Approx. 2,000 hours with 6 D manganese batteries			
Weighing Pan size		232 (W) × 192 (D) mm / 9.13 (W) × 7.56 (D) in			
Dimensions (W × D × H)		236 (W) × 260 (D) × 148 (H) mm / 9.3 (W) × 10.2 (D) × 5.8 (H) in			
Weight (approx.)		Approx. 4 kg / 9 lb			
Standard accessories		Instruction manual, screwdriver, cleaning pick (one sheet)			

\*Default Setting

## Dimensions (mm/inches)



## Key Features



Battery Powered



External Calibration



Auto Power OFF Function



Counting Function



LCD Display with Backlight



Comparator Function

**IP67**

IP67