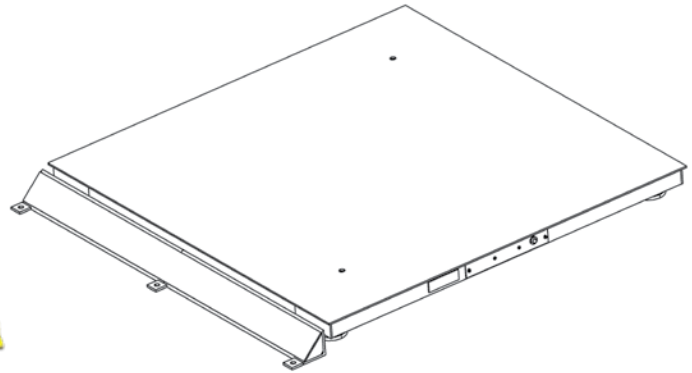


# Bumper Guards

Option A



**Anchor bolt size required:**  
1/2 in dia (Not included)

**Construction:**  
RoughDeck® HP and HP-H versions  
(Mild steel, painted safety yellow)  
RoughDeck SS/HE (304 stainless steel)

## Part Number/Price

Length	RoughDeck HP	Price Each	RoughDeck SS/HE	Price Each	RoughDeck HP-H	Price Each
2.5 ft	86815	Consult	86824	Consult	86833	Consult
3.0 ft	86816	Consult	86825	Consult	86834	Consult
4.0 ft	86817	Consult	86826	Consult	86835	Consult
5.0 ft	86818	Consult	86827	\$425.00	86836	Consult
6.0 ft	86819	Consult	86828	Consult	86837	Consult
7.0 ft	86820	Consult	86829	Consult	86838	Consult
8.0 ft	86821	Consult	86830	Consult	86839	Consult
9.0 ft	86822	Consult	86831	Consult	86840	Consult
10.0 ft	86823	Consult	86832	Consult	86841	Consult

## Accessories

Part #	Description	Price
18777	Floor anchor plates, mild steel (set of two), RoughDeck HP	Consult
18778	Floor anchor plates, stainless steel (set of two), RoughDeck SS/HE	Consult
40387	Floor anchor plates, mild steel (set of two), RoughDeck HP-H 20,000 lb	Consult
40388	Floor anchor plates, mild steel (set of two), RoughDeck HP-H 30,000 lb	Consult

Drawing Dimensions		
Model	A	B
RoughDeck HP	3 in	3 in
RoughDeck SS/HE	3 in	3 in
RoughDeck HP-H	4 in	4 in

