



SJX Carat and Gold Series

Portable Balances



A Dynamic Weighing Experience with the Next Generation of OHAUS Carat and Gold Portable Balances

Designed for a wide range of jewelry applications, the SJX Carat and Gold balances are ideal for weighing jewelry, precious metals and gemstones. Equipped with superior overload protection, large backlit display, fast stabilization time, multiple weighing units, application modes and connectivity options, these slim balances offer a truly user-friendly weighing experience.

Standard Features Include:

- **Large Backlit LCD Display Clearly Shows Weighing Results in Retail Applications**
The Scout SJX is equipped with a bright white backlit display which shows the net weight of precious metals and stones clearly. An optional auxiliary display can also be installed.
- **Fast Weighing Speed and High Resolution Deliver Repeatable and Reliable Results**
Stabilization time as fast as 1 sec means quick results and increased efficiency. Equipped with superior weighing technology, the Scout also ensures repeatable and reliable weighing results
- **Multiple Connectivity Options Available for Data Logging & Communication**
With expanded connectivity options including RS232, USB Host, USB Device and Ethernet, the Scout provides added versatility to data logging and communication.

SJX Carat and Gold Series Portable Balances

Large LCD Display

The large backlit LCD display with 20 mm high digits provides operators a clear view of their weighing results. An optional auxiliary display can also be installed easily to provide additional weight notifications to customers in retail environments.

Better Performance

Stabilization time as fast as 1 sec and high resolution load cell with up to 150,000d resolution and readability to 0.001g, deliver extremely quick, precise and repeatable weighing results.

Multiple Connectivity Options

Scout has multiple connectivity options for convenient data logging and communication, as well as connecting to an auxiliary display. Options include - RS232, USB Host, USB Device and Ethernet. With the USB Host option, you can simply save and transfer data from the balance to a USB drive.

Draftshield Model Available

Scout's ingenious draftshield (1mg model only) was designed with an easy to remove top cover piece. This serves as a wind protection ring which keeps the weighing surface stable in rough environments, while maintaining weighing speed.

Built-in Application Modes

- **Weighing**—Determines the weight of items on the pan in the selected unit of measure.
- **Parts Counting**—Counts the number of pieces on the pan using a uniform weight.
- **Percent Weighing**—Measures the weight of a sample displayed as a percentage of a pre-established reference weight.
- **Check Weighing**—Compares the weight of a sample against target limits.
- **Totalization**—Measures cumulative weight of multiple items. Cumulative total may exceed balance capacity.
- **Density Determination**—Determines density of solids or liquid. With the integrated weigh below hook, it is possible to perform specific gravity tests for objects that cannot be easily placed on the weighing pan.
- **Display Hold**—Manually holds the last stable weight or the first highest stable weighing value on the display.





Draftshield
Protects the sample from external influences, increasing the speed and repeatability of measurements



Lockswitch
The Scout can be locked into a specific configuration using the lockswitch



Connectivity
Expanded connectivity options including RS232, USB Host, USB Device and Ethernet or Auxiliary Display



Security Slot
Integrated security slot prevents theft

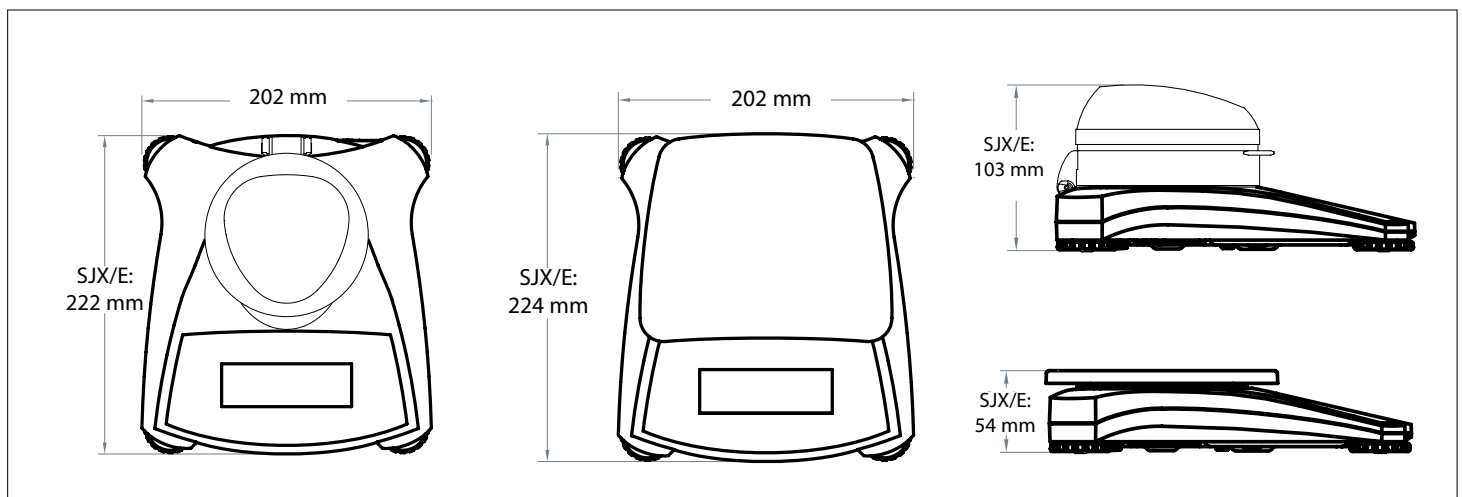


Large Backlit LCD Display
High contrast LCD Display shows weight and application data clearly, even in poor lighting conditions



Weigh Below Hook
A weigh below hook on the bottom of the Scout allows for density determination or specific gravity calculations

Outline Dimensions



SJX Carat and Gold Series Portable Balances

Model	SJX323/E	SJX322/E	SJX622/E	SJX1502/E	SJX621/E	SJX3201/E	SJX6201/E	SJX8200/E
Capacity	320 ct (64 g)	320 g	620 g	1500 g	620 g	3200 g	6200 g	8200 g
Readability	0.005 ct (0.001 g)	0.01 g	0.01 g	0.01 g	0.1 g	0.1 g	0.1 g	1 g
Repeatability (Std. Dev.)	0.002 g	0.01 g	0.01 g	0.02 g	0.1 g	0.1 g	0.1 g	1 g
Linearity	0.003 g	0.01 g	0.02 g	0.03 g	0.1 g	0.1 g	0.2 g	1 g
Capacity × Readability (kg)	N/A	N/A	N/A	1.5 × 0.00001	N/A	3.2 × 0.0001	6.2 × 0.0001	8.2 × 0.001
Capacity × Readability (ct)	320 × 0.005	1600 × 0.05	3100 × 0.05	7500 × 0.05	3100 × 0.5	16000 × 0.5	31000 × 0.5	41000 × 5
Capacity × Readability (lb)	N/A	N/A	1.36690 × 0.00005	3.30690 × 0.00005	1.3670 × 0.0005	7.0550 × 0.0005	13.6685 × 0.0005	18.080 × 0.005
Capacity × Readability (oz)	2.25750 × 0.00005	11.2880 × 0.0005	21.8700 × 0.0005	52.9110 × 0.0005	21.870 × 0.005	112.880 × 0.005	218.700 × 0.005	289.25 × 0.05
Capacity × Readability (ozt)	2.05765 × 0.00005	10.2880 × 0.0005	19.9335 × 0.0005	48.2260 × 0.0005	19.930 × 0.005	102.880 × 0.005	199.335 × 0.005	263.60 × 0.05
Capacity × Readability (dwt)	41.153 × 0.001	205.76 × 0.01	398.67 × 0.01	964.52 × 0.01	398.7 × 0.1	2057.6 × 0.1	3986.7 × 0.1	5270 × 1
Capacity × Readability (gm)	987.66 × 0.02	4938.4 × 0.2	9568.0 × 0.2	23148.4 × 0.2	9570 × 2	49380 × 2	95680 × 2	126540 × 20
Span Calibration Mass*	50 g	200 g	300 g	1.5 kg	300 g	3 kg	5 kg	8 kg
Linearity Calibration Mass*	30, 60 g	200, 300 g	300, 600 g	1 kg, 1.5 kg	300, 600 g	1.5 kg, 3 kg	3 kg, 6 kg	4 kg, 8 kg
Stabilization Time (s)	1.5	1	1	1.5	1	1	1	1
Construction	ABS housing and pan support & stainless steel pan							
Draftshield	Yes	No						
Calibration	User-selectable external span or linearity calibration / Digital with external weight							
Tare Range	Full Capacity by subtraction							
Weighing Units	g, kg, ct, oz, ozt, dwt, lb, grn, hkt, sgt, twt, tical, tola							
Application Modes	Weighing, Parts Counting, Percent Weighing, Check Weighing, Totalization, Density Determination, Display Hold							
Power Requirement	AC adapter (included) or 4 AA batteries (not included)							
Typical Battery Life	80 hours			120 hours		80 hours		120 hours
Communication	RS232, USB Host, USB Device or Ethernet (available as an accessory)							
Display Type	Liquid crystal display (LCD) with backlight							
Display Size	20 mm high digits							
Overload Capacity	10 times rated capacity							
Operating Temperature Range	10°C to 40°C at 10% to 80% relative humidity, non-condensing							
Storage Conditions	-20°C to 55°C at 10% to 90% relative humidity, non-condensing							
Pan Size (W × D) (mm)	Ø93		Ø120		170 × 140			
Balance Dimensions (W × D × H) (mm)	202 × 222 × 103			202 × 224 × 54				
Shipping Dimensions (W × D × H)(mm)	300 × 250 × 129			300 × 250 × 86				
Net Weight	1 kg							
Shipping Weight	1.5 kg							

*Span calibration weight and scoop are included with SJX323/E model.

Other Standard Features and Equipment

Transportation lock, stainless steel pan, menu & calibration lockout switch, slip-resistant and adjustable feet, leveling bubble, mechanical and software overload/underload protection, stability indicator, auto tare, low battery indicator, auto shut-off, user-selectable printing options, user-selectable communication settings

Compliance

- **Product Safety:** IEC/EN 61010-1; CAN/CSA C22.2 No. 61010-1; UL Std. No. 61010-1
- **Electromagnetic Compatibility:** IEC/EN 61326-1 Class B; FCC Part 15 Class B; Industry Canada ICES-003 Class B

Accessories

RS232 Interface Kit	30268982	Auxiliary Display, AD7-MD	30472063
USB Host Interface Kit (for Flash Drive)	30268983	Security Device	80850043
USB Device Interface Kit (for PC)	30268984	Top Loading Kit for Density Determination***	30269020
Ethernet Interface Kit	30268986	Carrying Case	30269021
Stacking & Storage Cover (6 pcs)**	30268987	In-use Cover***	30269022
Stacking & Storage Cover (1 pc)**	30268988	Adapter, 5V 1A US, Fixed Plug	30330714
Printer, Impact, SF40A, AM	30064203		

**Only fit for SJX/E models without draftshield.

***Not fit for SJX InCal™ Models

80774941_C 20181107 © Copyright OHAUS Corporation

OHAUS CORPORATION
7 Campus Drive
Suite 310
Parsippany, NJ 07054 USA

Tel: 800.672.7722
973.377.9000
Fax: 973.944.7177

www.ohaus.com

The management system governing the manufacture of this product is ISO 9001:2015 certified.

