

Weighing platforms Industry Supreme

For precise measurement results



OPC UA
upgradable



German Quality



The robust, high resolution weighing platforms of the Industry Supreme series offer reliable overload protection and are based on monolithic weighing technology with up to 640,000 divisions. Its high resolution guarantees precise measurement results and thus less product loss. An integrated calibration weight adjustment ensures consistent precision.

The right solution for all of these applications:



Weighing



Counting



Filling and dosing



Formulation



Fill quantity control



Statistics



Classification



Statistical process control

Weighing platforms Industry Supreme ISBBP/ISBBS



Weighing platform Industry Supreme ISBBP...



Weighing platform Industry Supreme ISBBS...

Non-verifiable models Order code weighing range		ISBBP-06	ISBBP-3 ISBBS-3	ISBBP-6 ISBBS-6
Order code resolution		-H	-H	-H
Maximum weighing range	kg	0.62	3.1	6.1
Readability	g	0.001	0.01	0.01
Maximum additive preload	kg	0	3	0
Reproducibility	< ± g	0.001	0.01	0.01
Non-linearity	< ± g	0.002	0.02	0.02
Calibration weight	g	500	2,000	5,000
Accuracy class of calibration weight		E2	E2	E2
Max. load bearing capacity	kg	3	30	30
Platform dimensions ISBBP (W×D×H)	mm	266×236×146	266×236×117	266×236×117
Platform dimensions ISBBS (W×D×H)			280×250×123	280×250×123
Operating temperature range		0...+40	0...+40	0...+40
Storage temperature range		-10...+40	-10...+40	-10...+40
IP protection rating ISBBP		IP43	IP43, optionally IP65	IP43, optionally IP65
IP protection rating ISBBS			IP65	IP65

Verifiable models Order code weighing range		ISBBP-06	ISBBP-3 ISBBS-3	ISBBP-3 ISBBS-3	ISBBP-6 ISBBS-6	ISBBP-6 ISBBS-6
Order code resolution		-HCE	-HCE	-ICE	-HCE	-SCE
Maximum weighing range	kg	0.62	3.1	3.1	6.1	6.1
Readability	g	0.001	0.01	0.1	0.01	0.1
Accuracy class		II	II	II	II	II
Calibration value e		0.01	0.1	0.1	0.1	0.1
Minimum load		0.02	0.5	5	0.5	5
Maximum additive preload	kg	0	3	3	0	0
Reproducibility	< ± g	0.001	0.01	0.01	0.01	0.01
Non-linearity	< ± g	0.002	0.02	0.02	0.02	0.02
Calibration weight	g	500	2,000	2,000	5,000	5,000
Accuracy class of calibration weight		E2	E2	E2	E2	E2
Max. load bearing capacity	kg	3	30	30	30	30
Platform dimensions ISBBP (W×D×H)	mm	266×236×146	266×236×117	266×236×117	266×236×117	266×236×117
Platform dimensions ISBBS (W×D×H)			280×250×123	280×250×123	280×250×123	280×250×123
Operating temperature range Accuracy class II		+10...+30	+10...+30	+10...+30	+10...+30	+10...+30
Operating temperature range, without verification		0...+40	0...+40	0...+40	0...+40	0...+40
Storage temperature range		-10...+40	-10...+40	-10...+40	-10...+40	-10...+40
IP protection rating ISBBP		IP43	IP43, optionally IP65	IP43, optionally IP65	IP43, optionally IP65	IP43, optionally IP65
IP protection rating ISBBS			IP65	IP65	IP65	IP65

Weighing platforms Industry Supreme ISDCP/ISDCS



Weighing platform Industry Supreme ISDCP..



Weighing platform Industry Supreme ISDCS...

Order code weighing range		ISDCP-6	ISDCP-6	ISDCS-16	ISDCS-35	ISDCP-16 ISDCS-16	ISDCP-35 ISDCS-35
Order code resolution		-S	-SCE	-H	-H	-HCE	-HCE
Maximum weighing range	kg	6	6	16	35	16	35
Readability	g	0.1	0.1	0.1	0.1	0.1	0.1
Accuracy class		-	II	-	-	II	II
Calibration value e	g	-	1	-	-	1	1
Minimum load	g	-	5	-	-	5	5
Maximum additive preload	kg	0	0	5	5	5	5
Reproducibility	< ± g	0.1	0.1	0.2	0.2	0.2	0.2
Non-linearity	< ± g	0.2	0.2	0.2	0.2	0.2	0.2
Calibration weight	g	5,000	5,000	10,000	10,000	10,000	10,000
Accuracy class of calibration weight		F2	F2	F1	F1	F1	F1
Max. load bearing capacity	kg	300	300	300	300	300	300
Platform dimensions ISDCP (W×D×H)	mm	350×240×134	350×240×134			350×240×134	350×240×134
Platform dimensions ISDCS (W×D×H)				370×260×149	370×260×149	370×260×149	370×260×149
Operating temperature range Accuracy class II	°C	-	+10...+30	-	-	+10...+30	+10...+30
Operating temperature range, without verification	°C	0...+40	-	0...+40	0...+40	-	-
Storage temperature range	°C	-10...+40	-10...+40	-10...+40	-10...+40	-10...+40	-10...+40
IP protection rating ISDCP		IP43 optionally IP65	IP43 optionally IP65			IP43 optionally IP65	IP43 optionally IP65
IP protection rating ISDCS				IP65	IP65	IP65	IP65

Weighing platform Industry Supreme ISEDE



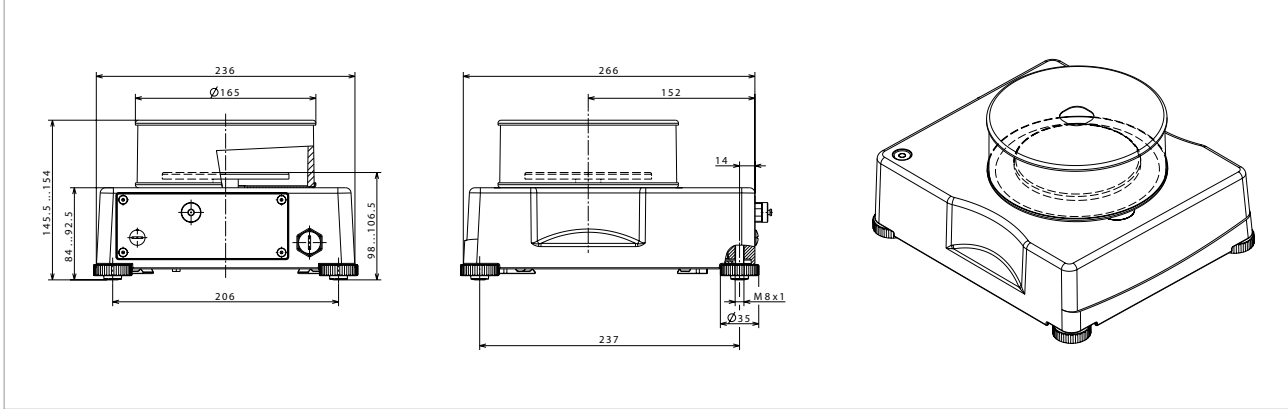
Weighing platform Industry Supreme ISEDE

Non-verifiable models Order code weighing range		ISEDE-16	ISEDE-34	ISEDE-64	ISEDE-64
Order code resolution		-H	-H	-H	-S
Maximum weighing range	kg	16	34	64	64
Readability	g	0.1	0.1	0.1	1
Maximum additive preload	kg	4	4	13	13
Reproducibility	$\leq \pm$ g	0.05	0.07	0.1	0.3
Non-linearity	$\leq \pm$ g	0.2	0.2	0.3	0.5
Calibration weight	kg	10,000	10,000	10,000	10,000
Accuracy class of calibration weight		F1	F1	F1	F2
Max. load bearing capacity	kg	130	130	130	130
Platform dimensions (W×D×H)	mm	400×300×120	400×300×120	400×300×120	400×300×120
Operating temperature range	°C	0...+40	0...+40	0...+40	0...+40
Storage temperature range	°C	-10...+40	-10...+40	-10...+40	-10...+40
IP protection rating		IP65	IP65	IP44	IP65

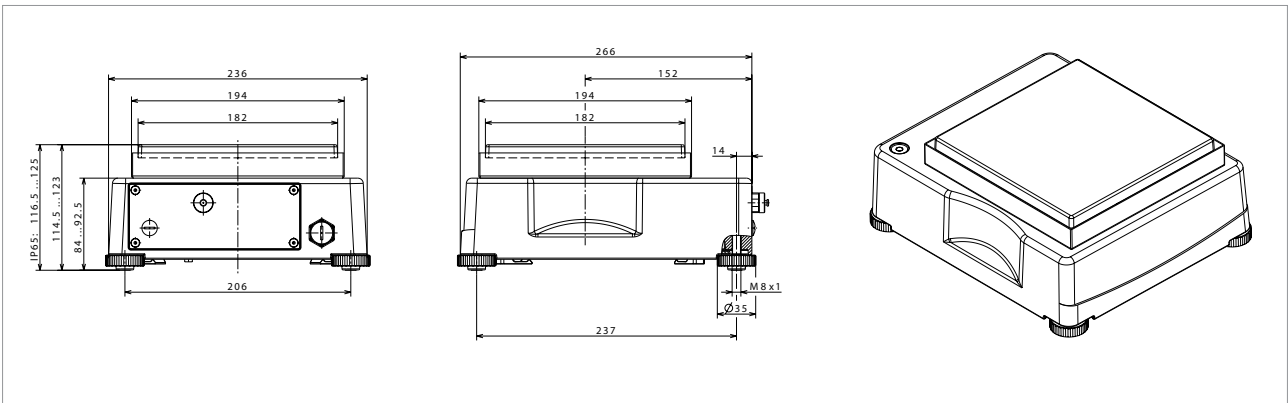
Verifiable models Order code weighing range		ISEDE-16	ISEDE-34	ISEDE-64
Order code resolution		-HCE	-HCE	-SCE
Maximum weighing range	kg	16	34	64
Readability	g	0.1	0.1	1
Accuracy class		II	II	II
Calibration value e	g	1	1	10
Minimum load	g	5	5	50
Accuracy class		III	III	III
Calibration value e	g	0 to 3 kg: 1 3 to 6 kg: 2 6 to 16 kg: 5	0 to 6 kg: 2 6 to 15 kg: 5 15 to 34 kg: 10	0 to 15 kg: 5 15 to 30 kg: 10 30 to 64 kg: 20
Minimum load	g	20	40	100
Maximum additive preload	kg	4	4	13
Reproducibility	$\leq \pm$ g	0.05	0.07	0.3
Non-linearity	$\leq \pm$ g	0.2	0.2	0.5
Calibration weight	kg	10,000	10,000	10,000
Accuracy class of calibration weight		F1	F1	F2
Max. load bearing capacity	kg	130	130	130
Platform dimensions (W×D×H)	mm	400×300×120	400×300×120	400×300×120
Operating temperature range Accuracy class II	°C	+10...+30	+10...+30	+10...+30
Operating temperature range Accuracy class III	°C	+10...+40	+10...+40	0...+40
Storage temperature range	°C	-10...+40	-10...+40	-10...+40
IP protection rating		IP65	IP65	IP65

Technical diagrams

Weighing platform Industry Supreme ISBBP

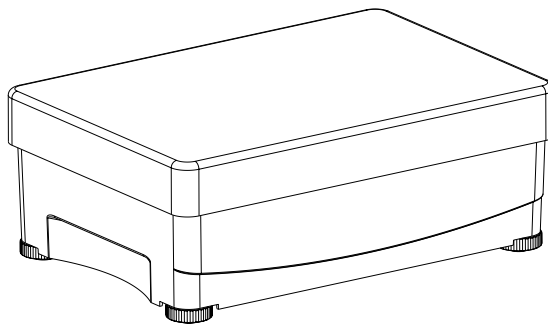
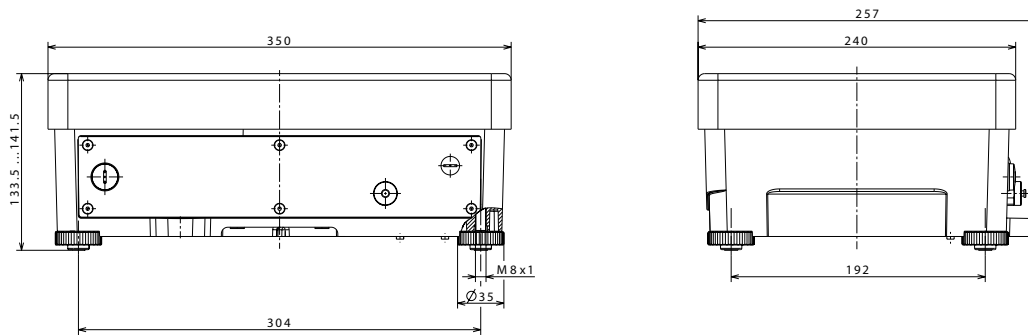


ISBBP 620 g

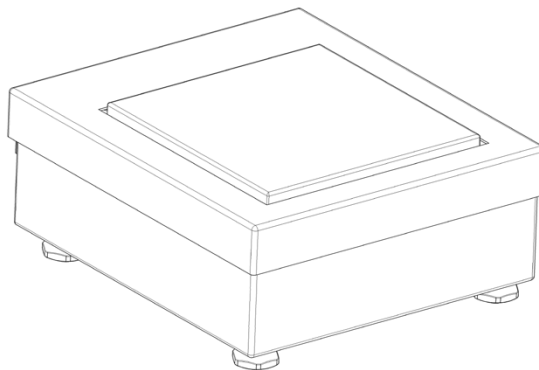
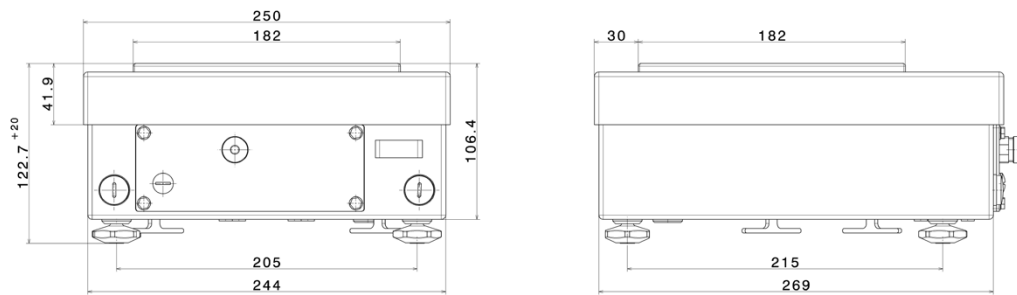


ISBBP 3 kg/6 kg

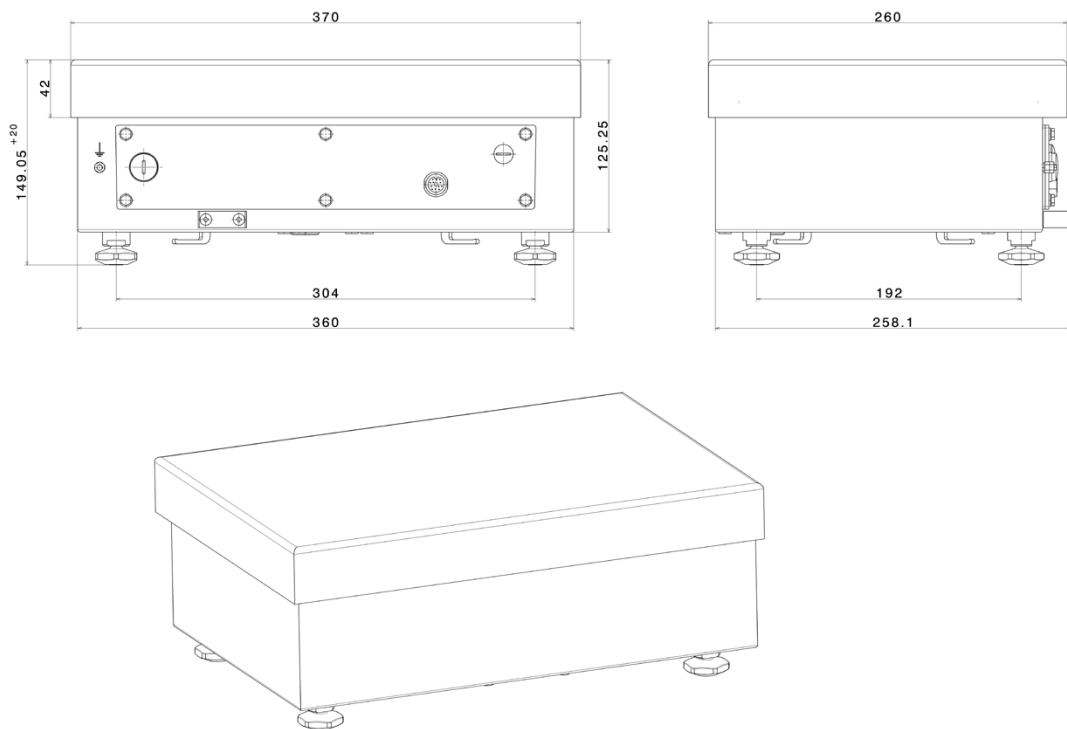
Weighing platform Industry Supreme ISDCP



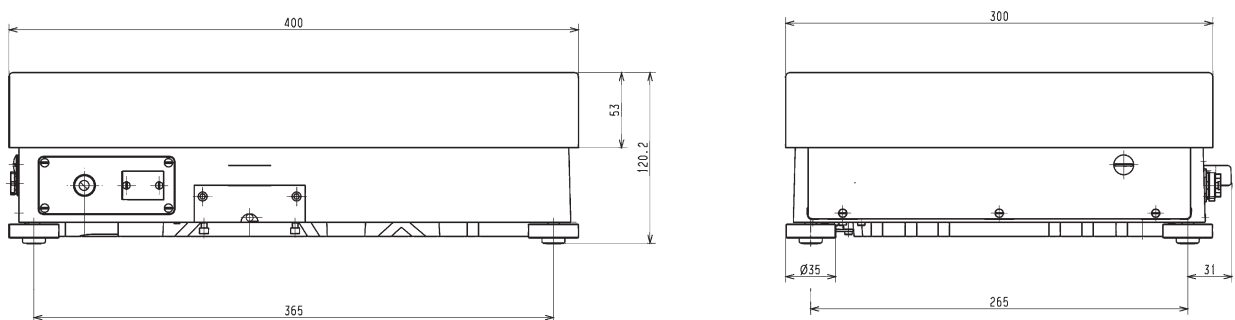
Weighing platform Industry Supreme ISBBS



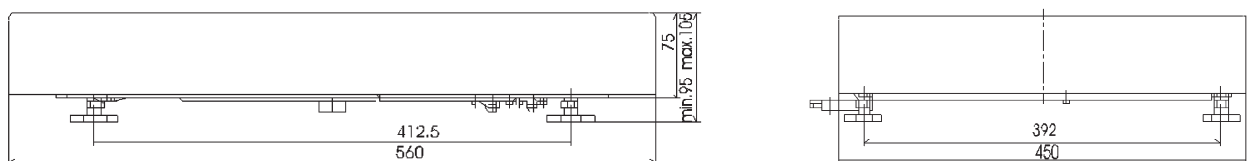
Weighing platform Industry Supreme ISDCS



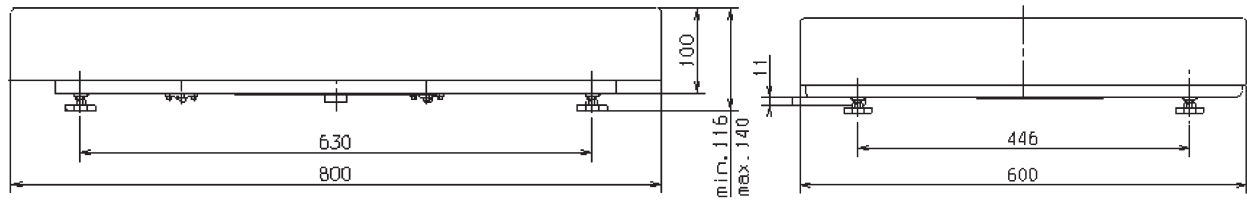
Weighing platform Industry Supreme ISEDE



Weighing platform Industry Supreme ISFEG



Weighing platform Industry Supreme ISIGG



All dimensions in mm

Options

Weighing platforms Industry Supreme ISBBP/ISBBS/ISDCP/ISDCS

Description	Order reference
Protection class ATEX zone 2 and zone 22 (not for 620 g model)	Y2
Integral calibration weight	E7
Underground weighing mechanism, hooks included in delivery*	U1
Test report/certificate	Z3
Protection class IP65, spray- and dust-proof (not for 620 g model)	I65

* only for ISBBP/ISDCP

Weighing platforms Industry Supreme ISEDE... /ISFEG.../ISIGG...-H

Description	Order reference
Interface RS232	A1
Interface RS485	A3
Underground weighing mechanism, hooks included in delivery (only for ISEDE...)	U1
Test report/certificate	Z3
Prepared for external electrical supply (only for ISEDE...)	L3

Accessories

Interfaces for weighing platforms Industry Supreme ISFEG/ISIGG

Description	Order reference
Data interface with 3 m cable (IP67, RS232/RS423) and round connector for ISFEG or ISIGG models	YD052IS
Data interface to PC, D-SUB 9 pin socket (6 m), RS232 for ISFEG or ISIGG models	YD056IS

Cables for weighing platforms Industry Supreme ISBBP/ISBBS/ISDCP/ISDCS/ISEDE/ISFEG/ISIGG

Description	Order reference
Extension cable, 12 pin round connector to 12 pin round socket, 6 m	YCC01-01ISM6
Round connector for own cable assembly, 12 pin IP65	69QC0010
Round socket for own cable assembly, 12 pin IP65	69QC0011

Software for weighing platforms Industry Supreme ISBBP/ISBBS/ISDCP/ISDCS/ISEDE/ISFEG/ISIGG

Description	Order reference
SartoConnect 4.0	YSC03

Mechanical accessories for weighing platforms Industry Supreme ISBBP/ISDCP

Description	Order reference
Display column for IS*DCP* models, column height 500 mm	YDH01P
Display column for IS*BBP* models, column height 400 mm	YDH02P

Mechanical accessories for weighing platforms Industry Supreme ISBBS/ISDCS

Description	Order reference
Column for ISDCS models, stainless steel, height 330 mm	YDH01CWS
Column for ISDCS models, stainless steel, height 500 mm	YDH02CWS
Column for ISDCS models, stainless steel, height 750 mm	YDH03CWS
Column for ISBBS models, stainless steel, height 400 mm	YDH02S

Mechanical accessories for weighing platforms Industry Supreme ISEDE/ISIGG

Description	Order reference
Painted pit frames for ISIGG models, for platform dimensions 800×600 mm	YEG04IP
Stainless steel pit frames for ISIGG models, for platform dimensions 800×600 mm	YEG01IP
Installation kit for pit frames (required for installation of YEG04IP and YEG01IP)	YAS04IS
Painted column to secure indicator to platform, for platform dimensions 400 × 300 mm, column height 500 mm	YDH02CHE
Access ramp for ISIGG models (painted), including installation kit	YAR10IS
Access ramp for ISIGG models (stainless steel), including installation kit	IE10817

Roller conveyors for weighing platforms Industry Supreme ISEDE/ISIGG

Description	Order reference
Painted roller conveyor for ISEDE models, 400 × 300 mm	YRC01EDA
Stainless steel roller conveyor for ISEDE models, 400 × 300 mm	YRC01EDS
Painted roller conveyor for ISIGG models, 800 × 600 mm	YRC01IGP
Stainless steel roller conveyor for ISIGG models, 800 × 600 mm	YRC01IGS

Electrical supply for weighing platforms Industry Supreme ISEDE/ISFEG/ISIGG

Description for ISEDE/FEG/IGG...	Order reference
Power supply unit, IP65, primary cable length 3 m, secondary cable length 2 m, EU 230 V (option L3 required)	YPS09-YEU
Power supply unit IP40, primary cable length 2 m, secondary cable length 2 m, 100–240 V, non-EU countries	upon request

Description for IS...EDE/FEG/IGG	Order reference
Power supply, IP65, 2.5 m primary, 1.4 m secondary cable length – EU 230 V	6971899
Power supply, IP65, 2 m primary, 1.4 m secondary cable length – USA 120 V	6971500
Retrofitting kit for DC power supply voltage feed, IP67-PG model (installation necessary, such as by Minebea Intec)	YAS03IS

Ordering information

Ordering system legend for weighing platforms Industry Supreme ISBBP/ISBBS/ISDCP/ISDCS/ISEDE/ISFEG/ISIGG

Product line	Sensor technology	Dimensions	Base frame material	–	Maximum load	–	Display resolution
I	S	BB	E	–	06	–	H
		DC			3		
		ED			6		
		FE	G		34		S
					35		
		IG	P		64		ICE
			S		150	HCE	
					300	SCE	
						LCE	

Example order code ISEDE-34-HCE:

Resolutions	
-S Single range	≥ 60,000 d
-H Single range	≥ 100,000 d

Resolutions	
-S(0)CE Single range	≥ 60,000 d, Class II, e = 10 d or e = d
-H(0)CE Single range	≥ 100,000 d, Class II, e = 10 d
-ICE Single range	≥ 30,000 d, Class II, e = d
-LCE Single range	≥ 15,000 d, Class II, e = d

Base frame material
E/P = Epoxy resin, industrial grade
G = galvanised steel
S = stainless steel

The products and solutions presented in this data sheet make major contributions in the following sectors:



The technical data given serves as a product description only and should not be understood as guaranteed properties in the legal sense.

Specifications subject to change without notice.
Rev. 04/2021

Minebea Intec Bovenden GmbH & Co. KG
Leinetal 2
37120 Bovenden, Germany
Phone +49.551.309.83.0
sales.industry@minebea-intec.com
www.minebea-intec.com