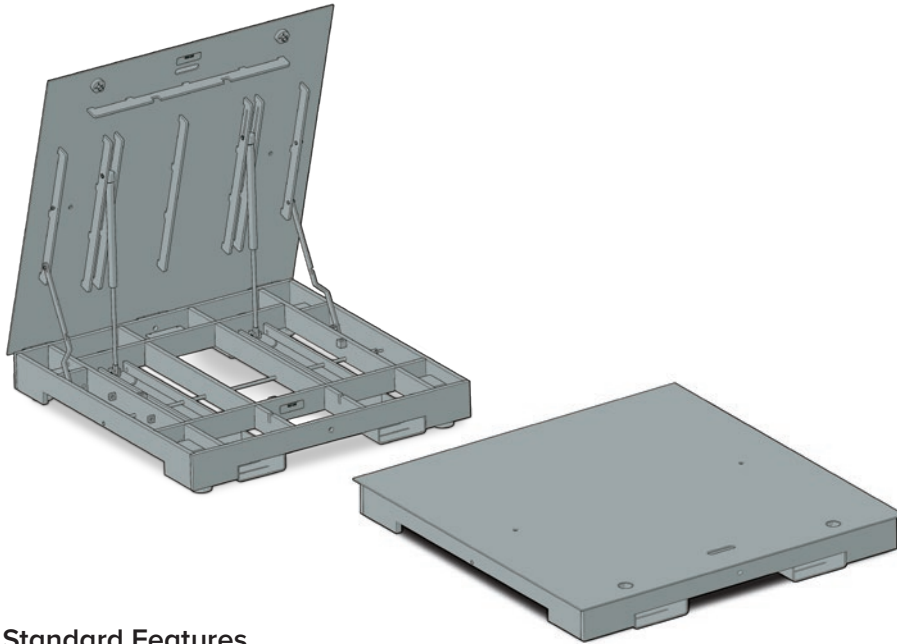


RoughDeck® QC-XP

Quick Clean Extreme Portable Solid Base Plate Floor Scale



Specifications

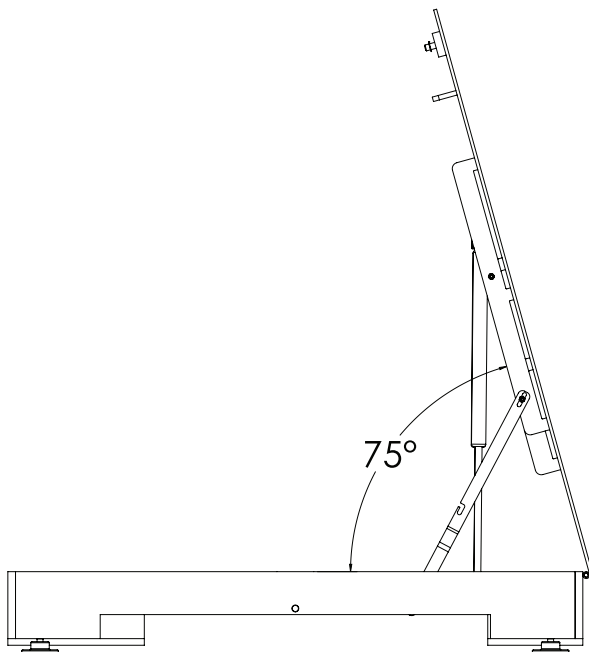
End Load Capacity:
 100% full scale at 5,000 lb
 80% full scale at 10,000 lb

Warranty:
 RoughDeck QC-XP weldment five years,
 load cells two years, all other components
 one year

Standard Features

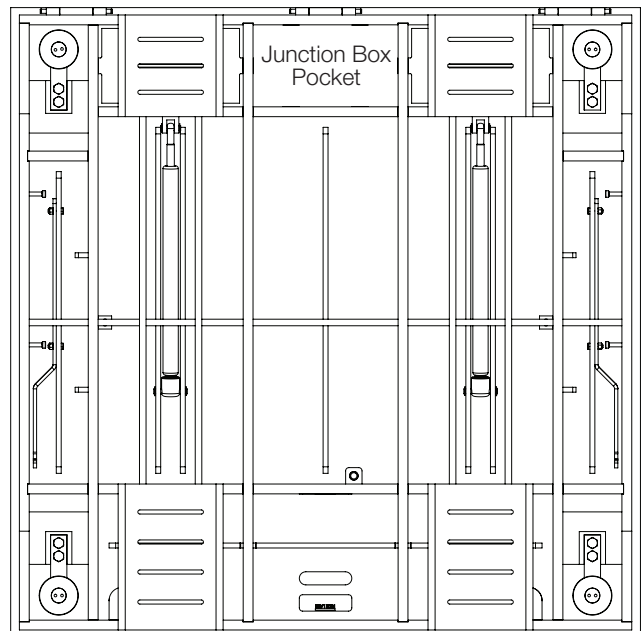
- Designed with forklift pockets allowing the scale to be portable
- Rugged washdown design, rigid 304 stainless steel frame constructed with continuous welds
- Meets HACCP requirements
- Manual drop-in-place safety bars
- Four stainless steel, hermetically sealed, IP69K shear-beam load cells
- 20 ft of SURVIVOR® EL147HE hostile environment cable for connecting junction box to indicator
- Internal mounted TuffSeal® JB4SS stainless steel NEMA Type 4X junction box
- 1/4 in top plate
- Four adjustable stainless steel SUREFOOT™ support feet
- Top plate opens 75 degrees
- Tool-less top plate lock downs
- Top plate available with a smooth deck or diamond treadplate
- Two 1/2-20NF threaded eyebolt holes for lifting scale into pit frame

Approvals



Upright position

Forklift pocket dimensions are 2.25 in tall x 7.5 in wide



Underdeck View

RoughDeck® QC-XP

Quick Clean Extreme Portable Solid Base Plate Floor Scale

Part Number/Price

Part #	Size (W x L x H)	Capacity	Est. Weight	Price
Smooth Top Plate				
193283	4ft x 4ft x 7in	5,000 lb (2,500 kg)		Consult
193284	4ft x 4ft x 7in	10,000 lb (5,000 kg)		Consult
Diamond Tread Top Plate				
193287	4ft x 4ft x 7in	5,000 lb (2,500 kg)		Consult
193288	4ft x 4ft x 7in	10,000 lb (5,000 kg)		Consult

Options/Accessories

Part #	Description	Price
28740	RoughDeck floor stand for indicator, 36.3 in high, stainless steel	Consult
18778	Floor anchor plates, stainless steel (set of two)	Consult