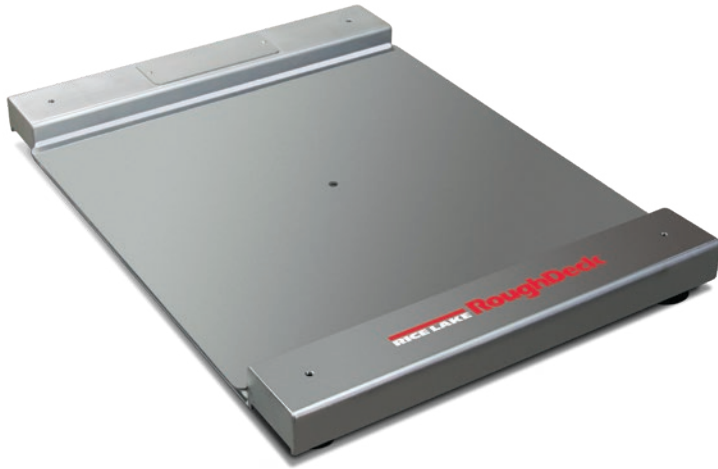


RoughDeck® BDP Stainless Steel

Barrel, Drum, Pallet Scale - Stationary Model



Approvals



Specifications

End Load Capacity:
 1,000 lb: 100% full scale
 2,500 lb: 80% full scale

Cable Length:
 10 ft (3 m)

Threaded Eyebolt:
 Hole (1/2-13 NC) located in center of deck for easy lifting

Warranty:
 RoughDeck BDP weldment three years, load cells two years, all other components one year

Approvals:
 NTEP CC 03-060, Class III 2,500 d
 Measurement Canada AM-5578
 (500 kg) Class III 2,500 d
 (1,000 kg) Class III 2,000 d

Standard Features

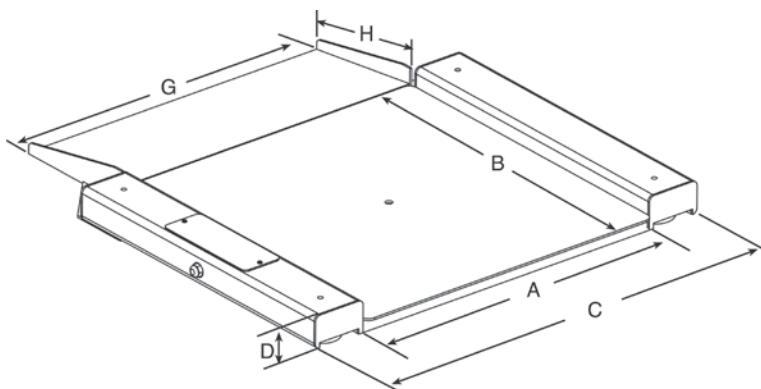
- Live siderails
- Top access foot adjustment holes (holes are 1/2-13 threaded for lifting scale)
- Four adjustable stainless steel SUREFOOT™ support feet
- TuffSeal® JB4SS stainless steel, NEMA Type 4X junction box with signal trim card
- Smooth top plate
- Stainless steel, IP66 load cells

Part Number/Price

Part #	Size (W x L)	Capacity (Canadian Approved Capacities)	Est. Weight	Price
77967	30 in x 31 in	1,000 lb (500 kg)	205 lb	Consult
77968	30 in x 31 in	2,500 lb (1,000 kg)	205 lb	Consult
77969	36 in x 37 in	1,000 lb (500 kg)	265 lb	Consult
77970	36 in x 37 in	2,500 lb (1,000 kg)	265 lb	Consult
Part #	Size (W x L)	Ramp Angle of Incline	Est. Weight	Price
Access Ramps				
78013	30 in x 12 in (sold individually)	7.2°	25 lb	Consult
78014	36 in x 12 in (sold individually)	7.2°	30 lb	Consult

Options/Accessories

Part #	Description	Price
18778	Floor anchor plates, stainless steel, set of 2 (for use with static scale, without ramps)	Consult
28740	Floor stand for indicator, 36.3 in high, stainless steel (for use with static scale)	Consult
Consult	Stainless steel deck with RL32218S-HE hermetically sealed IP69K stainless steel (cFMus approved) load cells and hardware	Consult
Consult	Stainless steel diamond treadplate safety deck	Consult



Dimensions Roughdeck BDP with access ramp

30 in x 31 in models			
A	30.0 in (762 mm)	D	3.31 in (84.1 mm)
B	31.0 in (787.4 mm)	G	30.0 in (762 mm)
C	40.0 in (1,016 mm)	H	12.0 in (304.8 mm)
36 in x 37 in models			
A	36.0 in (914.4 mm)	D	3.31 in (84.1 mm)
B	37.0 in (939.8 mm)	G	36.0 in (914.4 mm)
C	46.0 in (1,168.4 mm)	H	12.0 in (304.8 mm)

Distance from floor to top of center weighing surface:
 1.625 in (41.2 mm)
 Distance from floor to bottom of weighing surface:
 0.31 in (7.87 mm)