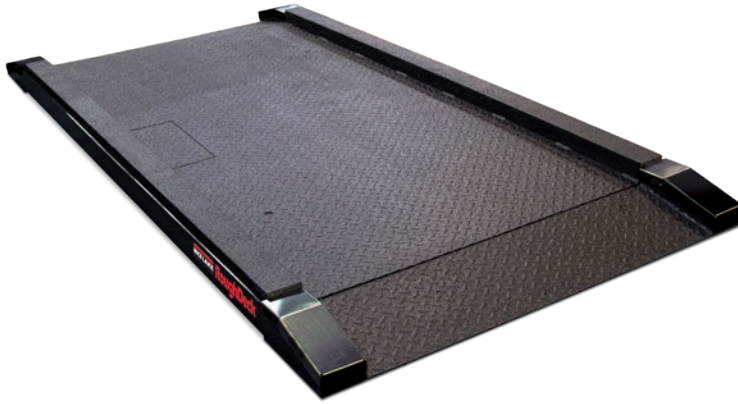


NEW RoughDeck® LP

Low Profile Floor Scale



Specifications

End Load Capacity:

100% full scale at 2000 lb

Cable Length:

20ft (6.1m) for connecting junction box to indicator

Threaded Eyebolt:

Two holes (1/2-20 NF)

Weighing Surface Dimensions:

(W x L x H) 36.00 in x 72.00 in x 2.10 in

Scale Dimensions:

(W x L x H) 43.25 in x 90.25 in x 3.90 in

Load Cells:

Model RL32018 alloy steel,
environmentally sealed IP66

Warranty:

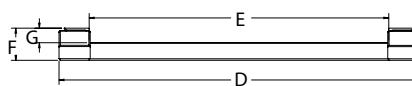
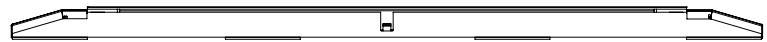
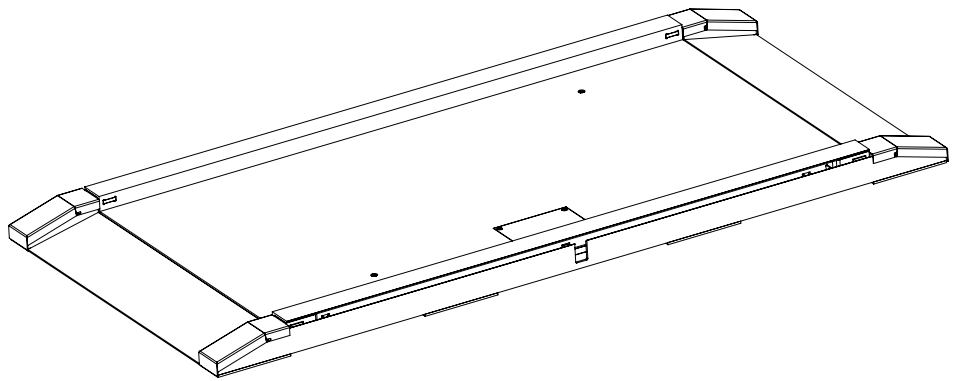
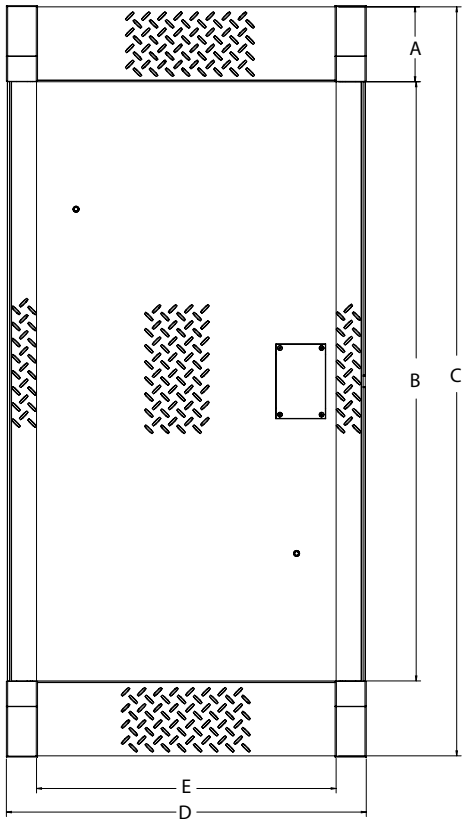
Two-year limited warranty

Standard Features

- Painted mild steel
- Diamond tread scale top plate and ramps
- Live siderails
- Self-centering ball and load receiver plate load introduction
- EL204 signal trim top access junction box

Part Number/Price

Part #	Size (W x L) Not including Side Rails	Capacity	Ramp Angle of Incline	Est. Weight	Price
204615	36 x 72 in	2,000 x 0.5 lb	12°	565 lb	Consult



Dimensions

	Inches
A	9.00
B	72.00
C	90.25
D	43.25
E	36.00
F	3.90
G	1.75