

# RAVAS-110

## Hand Pallet Jack

MOBILE  
WEIGHING  
SYSTEMS

Valuable time is wasted by moving materials to a centralized floor scale for weighing. RAVAS pallet jacks come standard with a scale so you can weigh while on the move. Perfect for shipping docks, warehouses, or piecework production lines, the RAVAS-100 guarantees an accurate weight reading of 0.1% and improves your operational efficiency.

### Efficient, Reliable, Accurate

- Mobile weighing functionality
- 5,000 lb. weighing capacity
- Low power consumption
- Onboard digital, LCD screen

Effortlessly lift and drive with handle controls

Weights are displayed digitally on easy-to-read LCD screen



# RAVAS-100

## FUNCTIONS

- Low battery warning in display
- Auto shut off after 3 minutes of non-use
- Error messages in display
- Totalling with sequence number
- Gross/net weighing
- Automatic and manual zero correction

## STANDARD SPECIFICATIONS

### WEIGHT CAPACITY

- 5,000 lb

### GRADUATION

- 2 lb

### MAXIMUM INACCURACY

- 0.1% of load lifted

### DISPLAY

- LCD, digit height 0.7"

### KEYPAD

- 3 function keys, on/off button

### PROTECTION CLASS

- Rubber

### STEERING WHEELS

- Electromagnetic brakes

### LOADING WHEELS

- Polyurethane, single

### FINISHING / COLOR

- Epoxy coated / red, RAL3000

### OWN WEIGHT

- 235 lb

### POWER SUPPLY

- 4 x 1.5V AA-Batteries in battery drawer

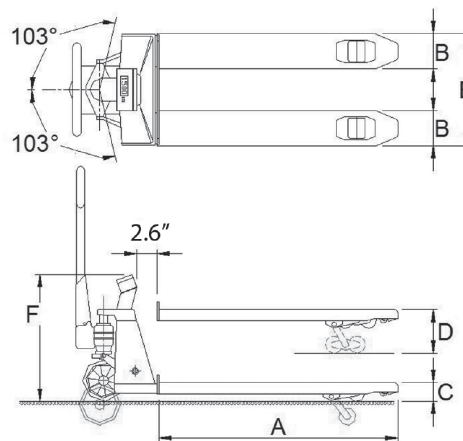
### BATTERY LIFE

- One year, when used 5 times a day

### PUMP

- Quick lift

## DIMENSIONS



<b>A</b>	Fork length	48"
<b>B</b>	Fork width	7.1"
<b>C</b>	Width over fork	3.0"
	Ground clearance	0.7"
<b>D</b>	Maximum fork height	7.9"
	Lifting height	4.8"
<b>E</b>	Width over forks	27.2"
<b>F</b>	Height to top indicator	25.5"

## OPTIONS\*

- Integrated thermal printer
- Stainless steel chassis with polymer housing
- Width over forks 22"
- Foot brake
- Polyurethane steering wheels
- Nylon steering wheels

\*The use of options may change related specifications.

