

# RAVAS-310

Pallet truck scale with extended scale functions

## BENEFITS

- Standard NTEP approved
- Standard thermal printer
- Automatic dosing function
- Three communication protocols
- Internal clock for date/time
- For counting parts, dosing and mixing



Top quality

Advanced functions



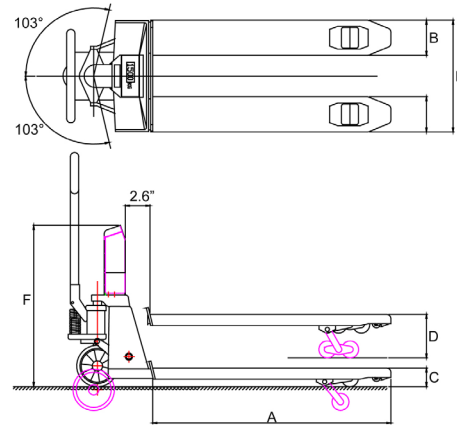
## FUNCTIONS

- Automatic and manual zero correction
- Gross/net weighing
- Automatic and manual tare
- Totalling with sequence number
- Code entry (5-digit)
- Piece counting by sampling
- Piece counting by entry of piece weight
- Printing of date, time, counted pieces, gross/net weight, total weight
- Internal clock
- Error messages in display
- Automatic switch-off after 30 minutes of non-use
- lb/kg toggle

## STANDARD SPECIFICATIONS

- Weighing capacity max. 5,000 lb
- Graduation multirange:  
0 - 3,000 lb: graduation 1 lb, or  
5,000 lb: graduation 2 lb
- Max. tolerance 0.1% of the load lifted
- Display LCD, digit height 0.7 inch, backlight
- Keypad 5 function keys, on/of key
- Protection class load cells NEMA 5, display NEMA 4 (printer excluded)
- Battery 12Vdc/1.2Ah, exchangeable, battery charger included
- Battery life 35 hours, low battery indication in display
- Charger 110/120 Volt / 12Vdc - 300mA
- Charging time approximately 6 hours
- Steering wheels polyurethane
- Loading wheels polyurethane, single
- Colour red (RAL 3000), epoxy painted
- Own weight 285 lb
- Pump quick lift

## DIMENSIONS IN INCHES



A	Fork length	48
B	Fork width	7.1
C	Minimum fork height	3.25
	Ground clearance	0.87
D	Maximum fork height	8
	Lifting height	4.8
E	Width over forks	27.2
F	Height to top indicator	31



## OPTIONS\*

- Extra exchangeable battery pack
- Bluetooth or WLAN output
- UniMobile / UniWin software for data capture & transfer